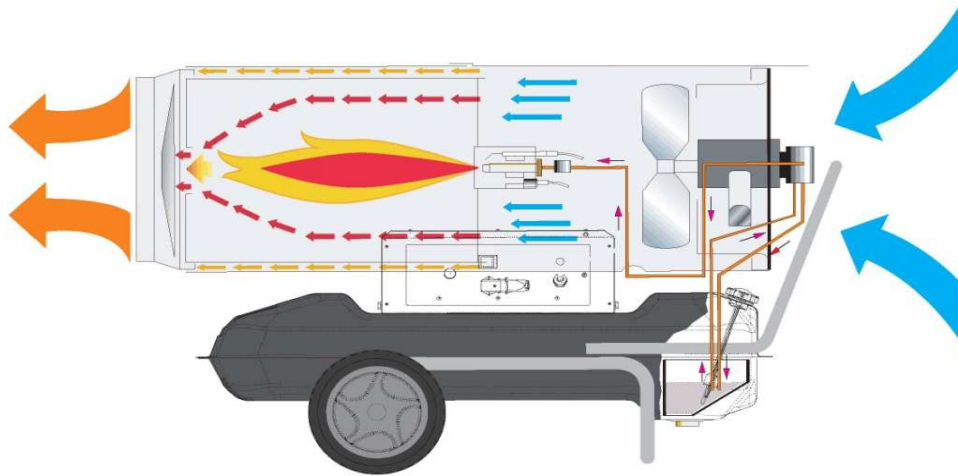


DIRECT OIL HEATER

B230



HEATER FUNCTIONING DIAGRAM



The oil heater with high pressure direct combustion nebulizes the combustible inside a chamber, that burns in connection to a igniter. The products of combustion are mixed with the ambient air flow, generated by rotation of the fan and pushed towards the external part of the generator. It is designed with the most modern standards of functionality and durability. Safety devices always assure a proper functioning of the heater, the noise is reduced to a minimal level and the accurate choice of materials guarantees a high efficiency.

SPECIFICATION

Max Capacity	kW	65	Oil consumption	kg/h	5,2
	Kcal/h	56000	Tank capacity	l	65
	Btu/h	222000	Autonomy	h	10
Combustible	Oil / Kerosene		Tension	V	220-240
Net weight	Kg	57	Frequency	Hz	50
Gross weight	Kg	76	Rated current	A	2,3
Pump pressure	bar	12	Noise level	dBa	79
Ø Fan	mm	325	Airflow	m ³ /h	3000

PACKING

Packaging dimensions	mm	1200 x 650 x 1000
Effective dimensions	mm	1235 x 575 x 790
Pieces for pallet	n ^o	1
Pieces full truck	n ^o	80

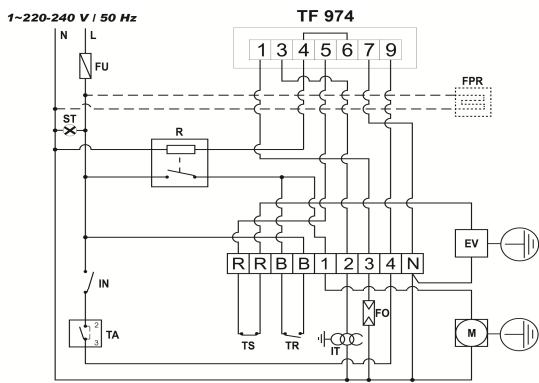
COMPONENTS

Pump	Danfoss BFP - rotary with element filter
Nozzle	Danfoss 1,25 GPH 80° S
Flame control	Electronic board with separately transformer
Igniter	Bifilar electrodes
Oil filter	In line da 60 µm
Overheat thermostat	Series / N.C. until at 90°C
Post-ventilation thermostat	Series
Motor	Asynchronous, monophase, with thermal protection, Anticlockwise rotation, 2800 g/1'
Tank	Steel sheet
Ambient thermostat	Predisposition for connecting an ambient thermostat

ACCESSORIES

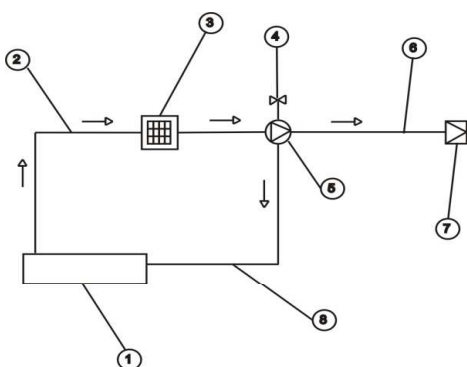
Ambient thermostat	Thermostat TH5
Filter pre-heating	Predisposition for connecting a filter-preheating

WIRING DIAGRAM



L	:	Line	FPR	:	Filter pre-heatinh
N	:	Neutral	TR	:	Cooling thermostat
FU	:	Fuse	TS	:	Overhaet thermostat
ST	:	Power indicator	TF974	:	Flame control
R	:	Relay	TA	:	Ambient thermostat
M	:	Motor	EV	:	Electrovalve
FO	:	Photocell			
IT	:	Trasformer			
IG	:	Elettrodes			
IN	:	Switch			

OIL DIAGRAM



1	:	Tank	5	:	Pump
2	:	Oil pipe intake	6	:	Oil pipe supply
3	:	Oil filter	7	:	Nozzle
4	:	Electrovalve	8	:	Oil return pipe